

Solenoid valve (5/2 way)

4M(NAMUR) Series



Symbol



Product feature

- 1、Internally piloted structure;
- 2、Structure in sliding column mode: good tightness and sensitive reaction;
- 3、Double control solenoid valves have memory function;
- 4、Internal hole adopts special processing technology which has little attrition friction, low start pressure and long service life;
- 5、No need to add oil for lubrication;
- 6、Install in the side plate with the surface upward, which can be used by directly connecting with the actuators;
- 7、Affiliated manual devices are equipped to facilitate installation and debugging;
- 8、Several standard voltage grades are optional;

Flow chart

Please refer to the same types of 4V series solenoid valves.

Specification

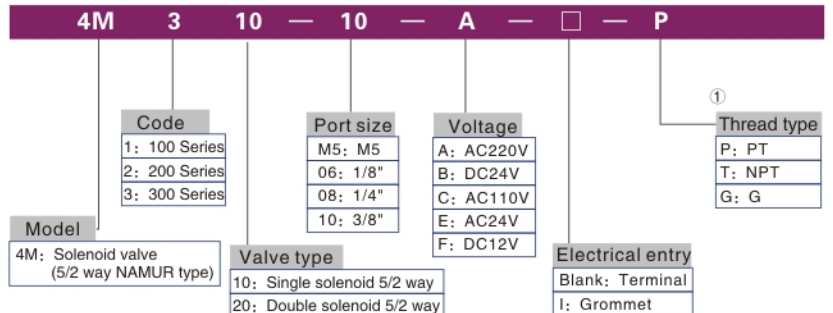
Model	4M110-M5	4M110-06	4M210-06	4M210-08	4M310-08	4M310-10
Fluid	Air (to be filtered by 40um filter element)					
Acting	Internal piloted					
Port size ①	In=Exhaust=M5	In=Exhaust=1/8"	In=Exhaust=1/8"	In=1/4" Exhaust=1/8"	In=Exhaust=1/4"	In=3/8" Exhaust=1/4"
Orifice size	5.5mm ² (Cv=0.31)	12.0mm ² (Cv=0.67)	14.0mm ² (Cv=0.78)	16.0mm ² (Cv=0.89)	25.0mm ² (Cv=1.40)	30.0mm ² (Cv=1.68)
Valve type	5 port 2 position					
Operating pressure	0.15-0.8MPa(21-114Psi)					
Proof pressure	1.5MPa(215Psi)					
Temperature ℃	-20-70					
Material of body	Aluminum alloy					
Lubrication ②	Not required					
Max. frequency ③	5 cycle / sec				4 cycle / sec	
Weight g	4M110:120; 4M120:175	4M210:220; 4M220:320	4M310:310; 4M320:400			

- ① PT thread、NPT thread and G thread are available;
 ② It can not stop in the midway of lubricating. Lubricants like ISO VG32 or equivalent are recommended.
 ③ The maximum actuation frequency is in the no-load state.

Coil specification

Item/Model	4M110、4M120	4M210、4M220、4M310、4M320
Standard voltage	AC220V、AC110V、AC24V、DC24V、DC12V	
Scope of voltage	AC: ±15% DC: ±10%	
Power consumption	AC: 2.5VA DC: 2.5W	AC: 3.5VA DC: 3.0W
Protection	IP65 (DIN40050)	
Temperature classification	B Class	
Electrical entry	Terminal、Grommet	
Activating time	0.05 sec and below	

Ordering code



①When the thread is M5 type, the code is blank.

Inner structure

Single solenoid

Double solenoid

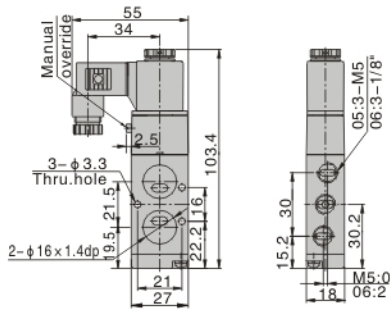
NO.	Item	NO.	Item
1	Connector	10	Bottom cover
2	Coil nut	11	Fixed screw
3	Coil	12	Spool spring
4	Armature	13	Bottom cover gasket
5	Fixed plate	14	Spool O-ring
6	Piston	15	Spool
7	Pilot kit	16	Piston O-ring
8	Body	17	Override spring
9	Wear ring	18	Manual override

Solenoid valve (5/2 way)

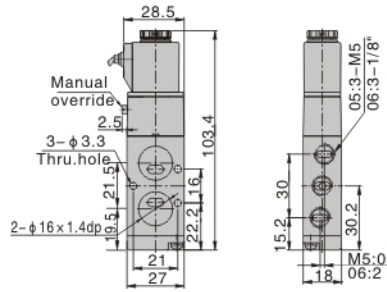
4M(NAMUR) Series

■ Dimensions

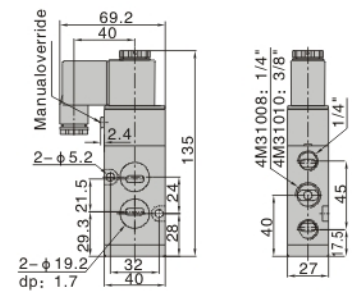
4M110(Terminal)



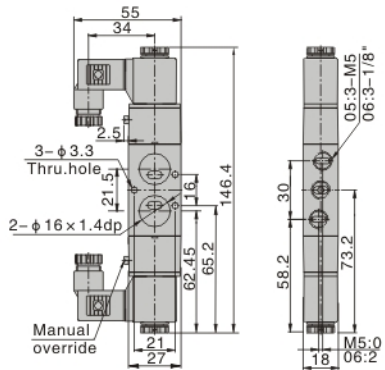
4M110(Grommet)



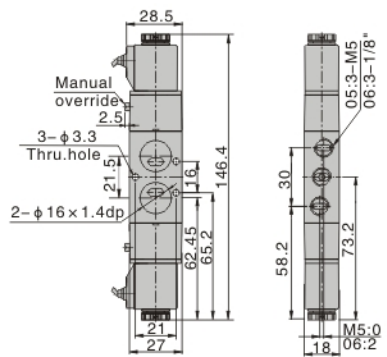
4M310(Terminal)



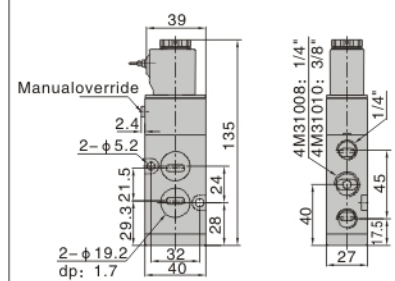
4M120(Terminal)



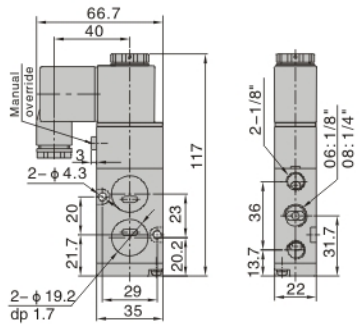
4M120(Grommet)



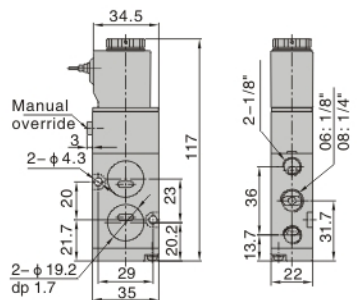
4M310(Grommet)



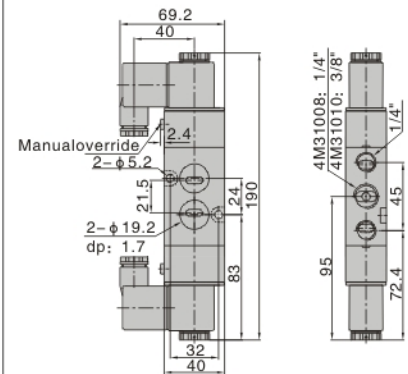
4M210(Terminal)



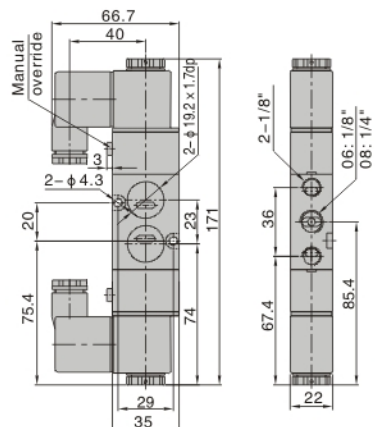
4M210(Grommet)



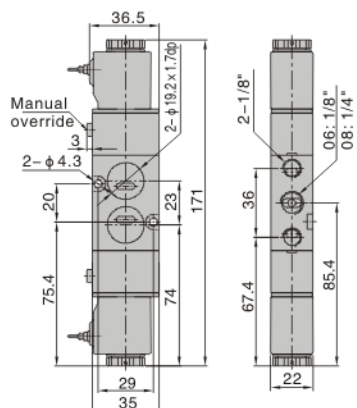
4M320(Terminal)



4M220(Terminal)



4M220(Grommet)



4M320(Grommet)

